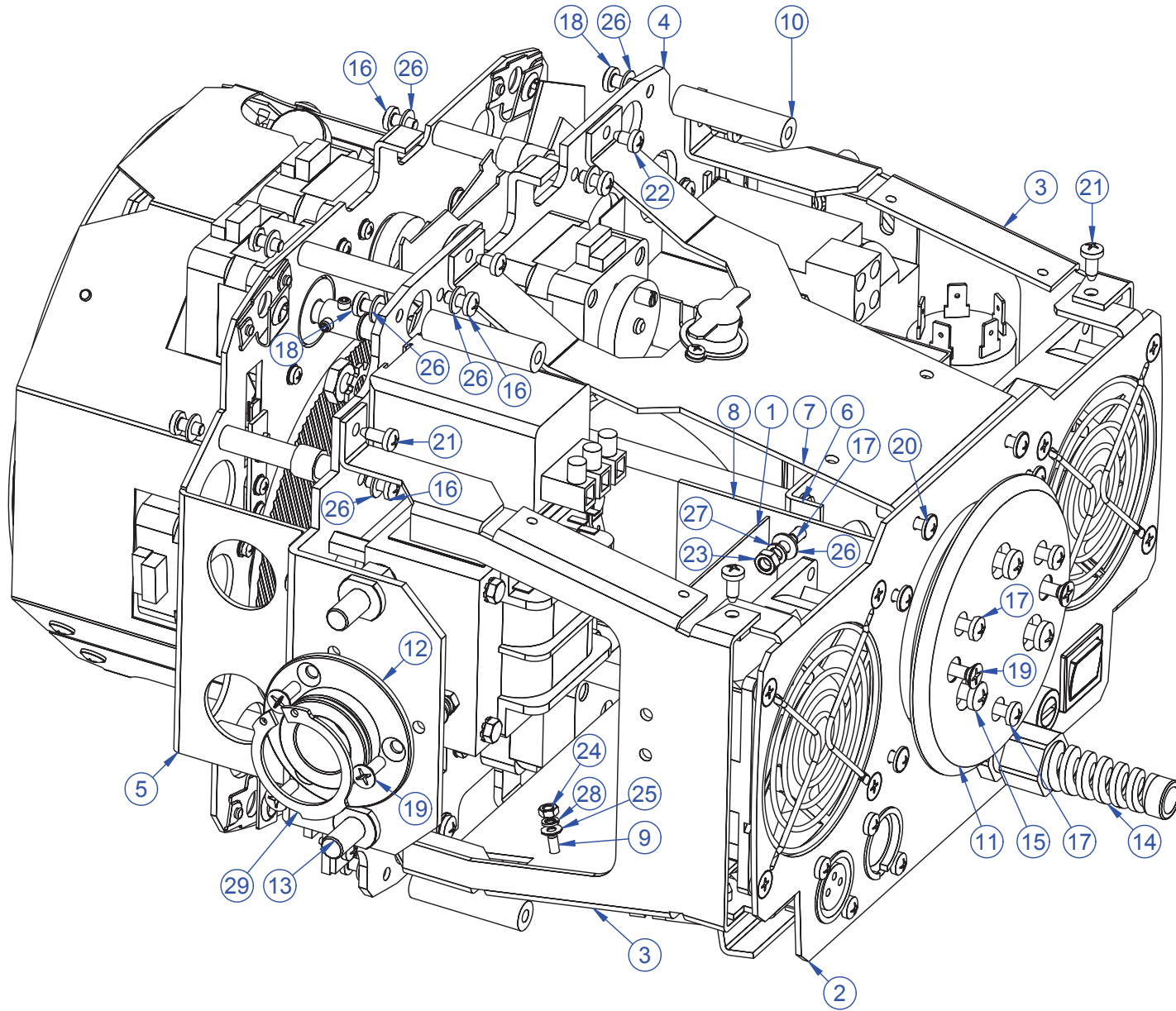
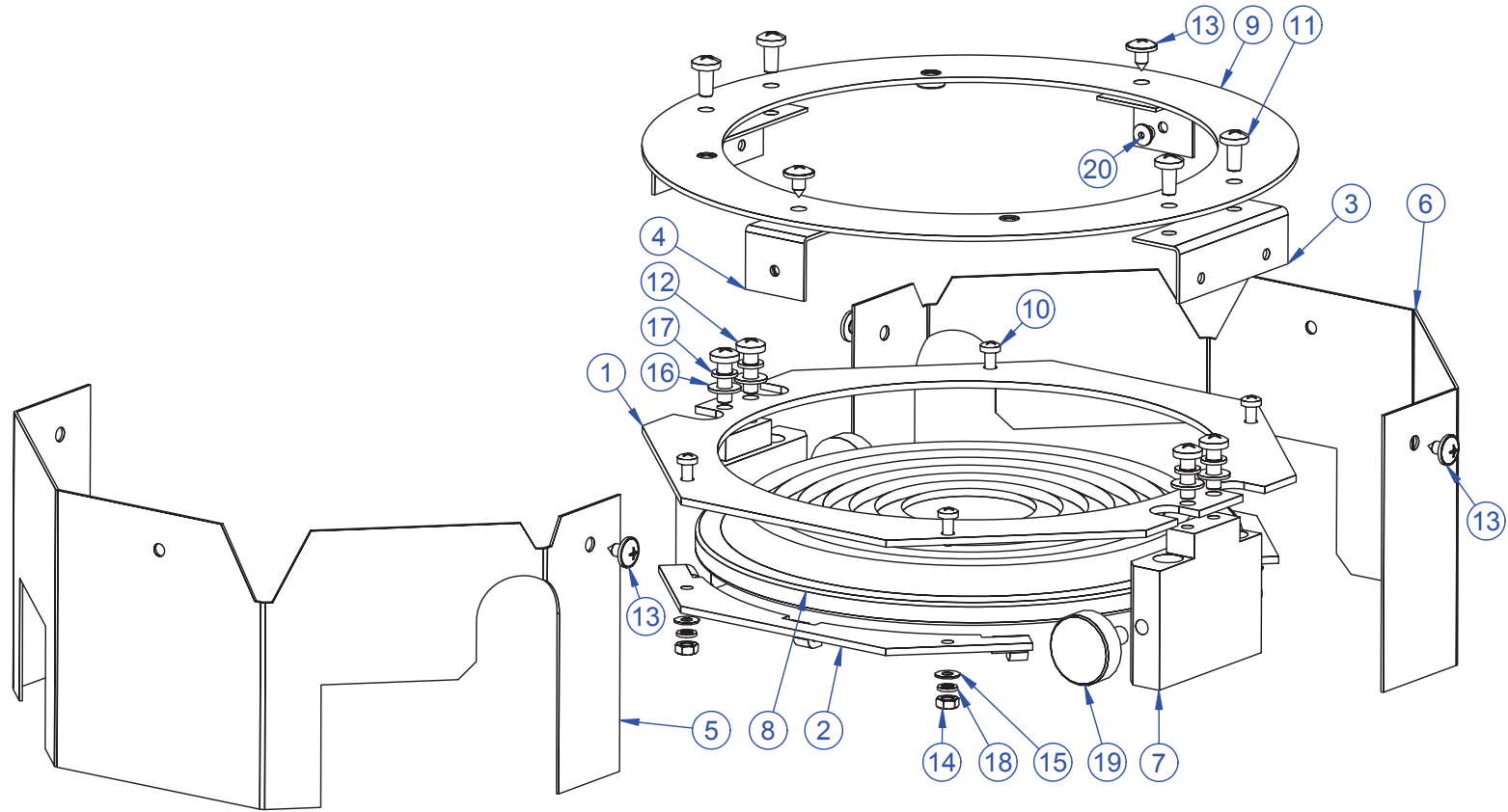


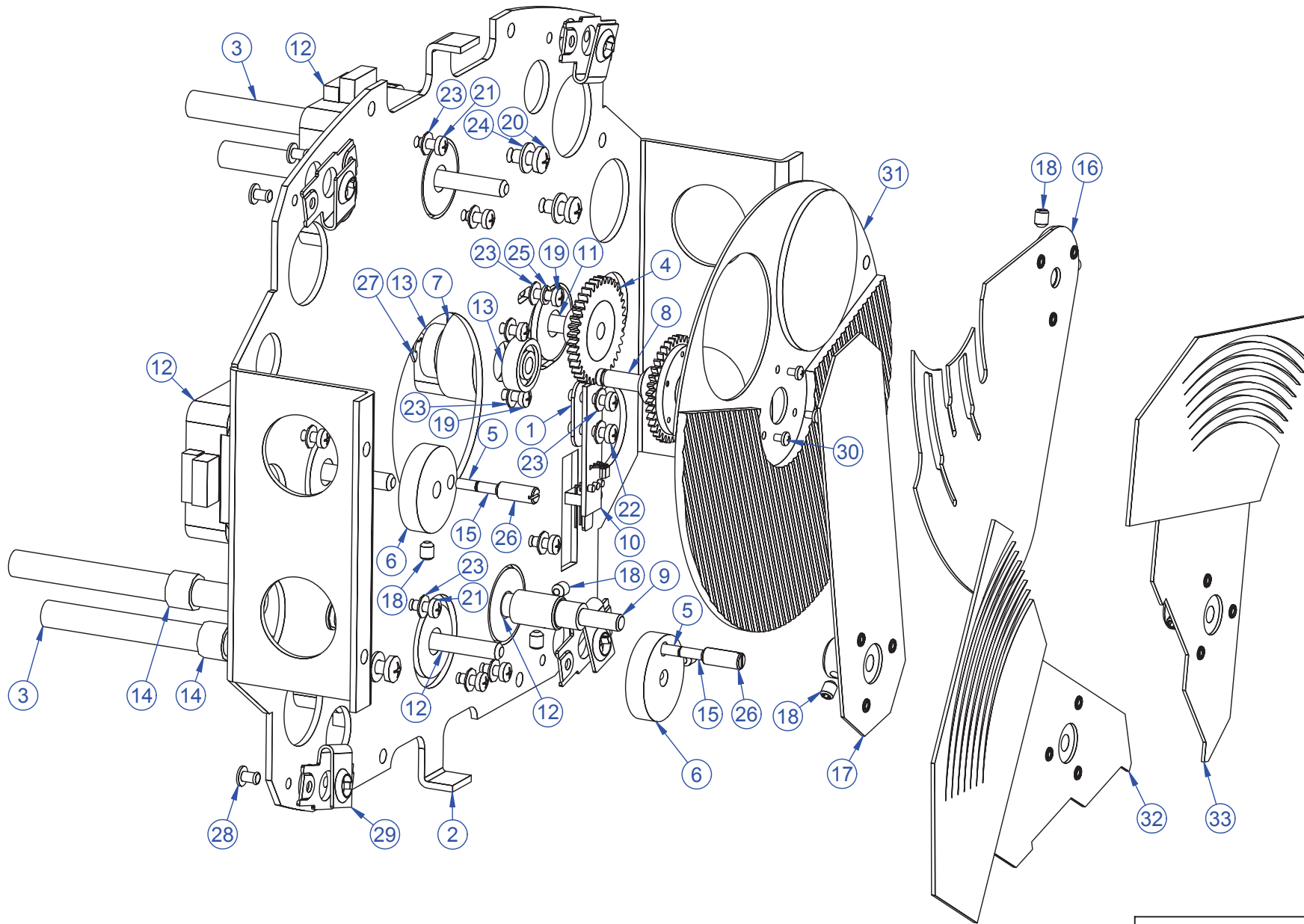
PRODUCT: ColorMix 250 AT		
TITLE: Covers		
DOCUMENT: 99010541		
VERSION: 1	DATE: 13.8.2002	SHEET: 1 OF 15



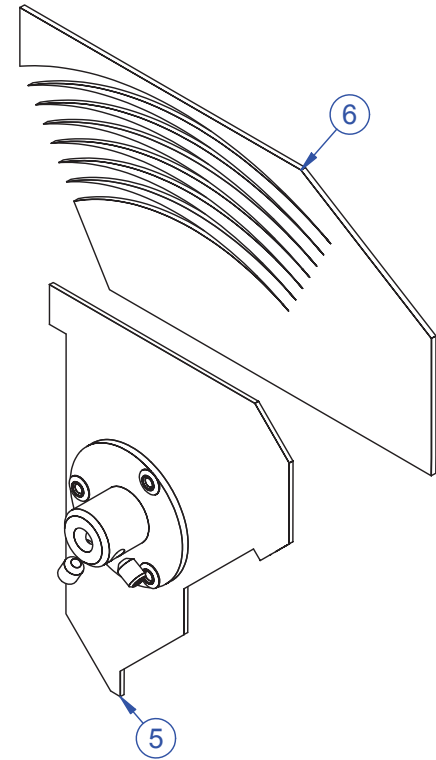
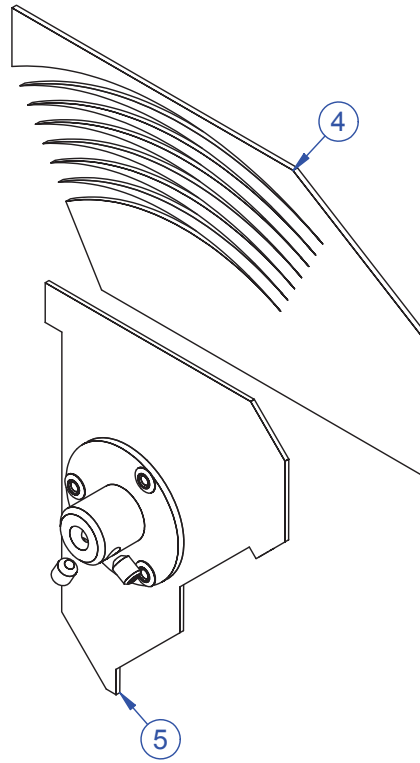
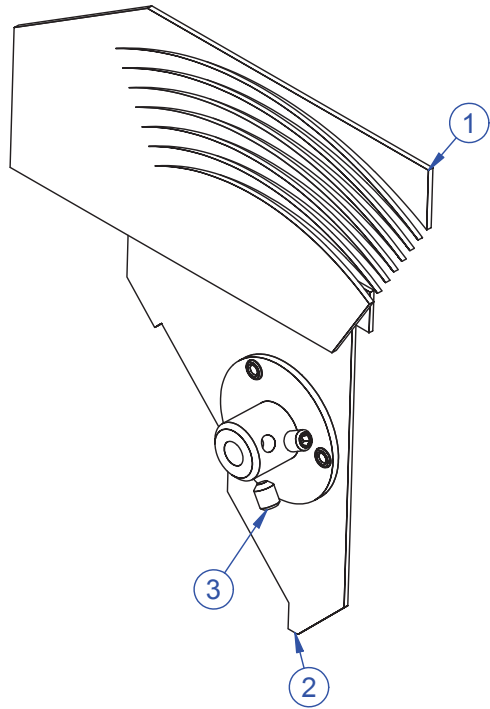
PRODUCT: ColorMix 250 AT		
TITLE: <b>Assembly of head</b>		
DOCUMENT: 99010541		
VERSION: 1	DATE: 13.8.2002	SHEET: 2 OF 15



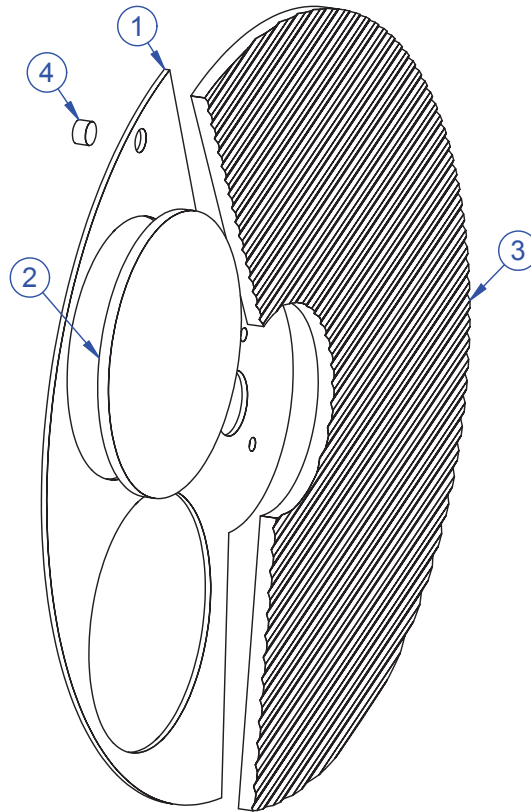
PRODUCT: ColorMix 250 AT		
TITLE: <b>Fresnel assembly</b>		
DOCUMENT: 99010541		
VERSION: 1	DATE: 13.8.2002	SHEET: 3 OF 15



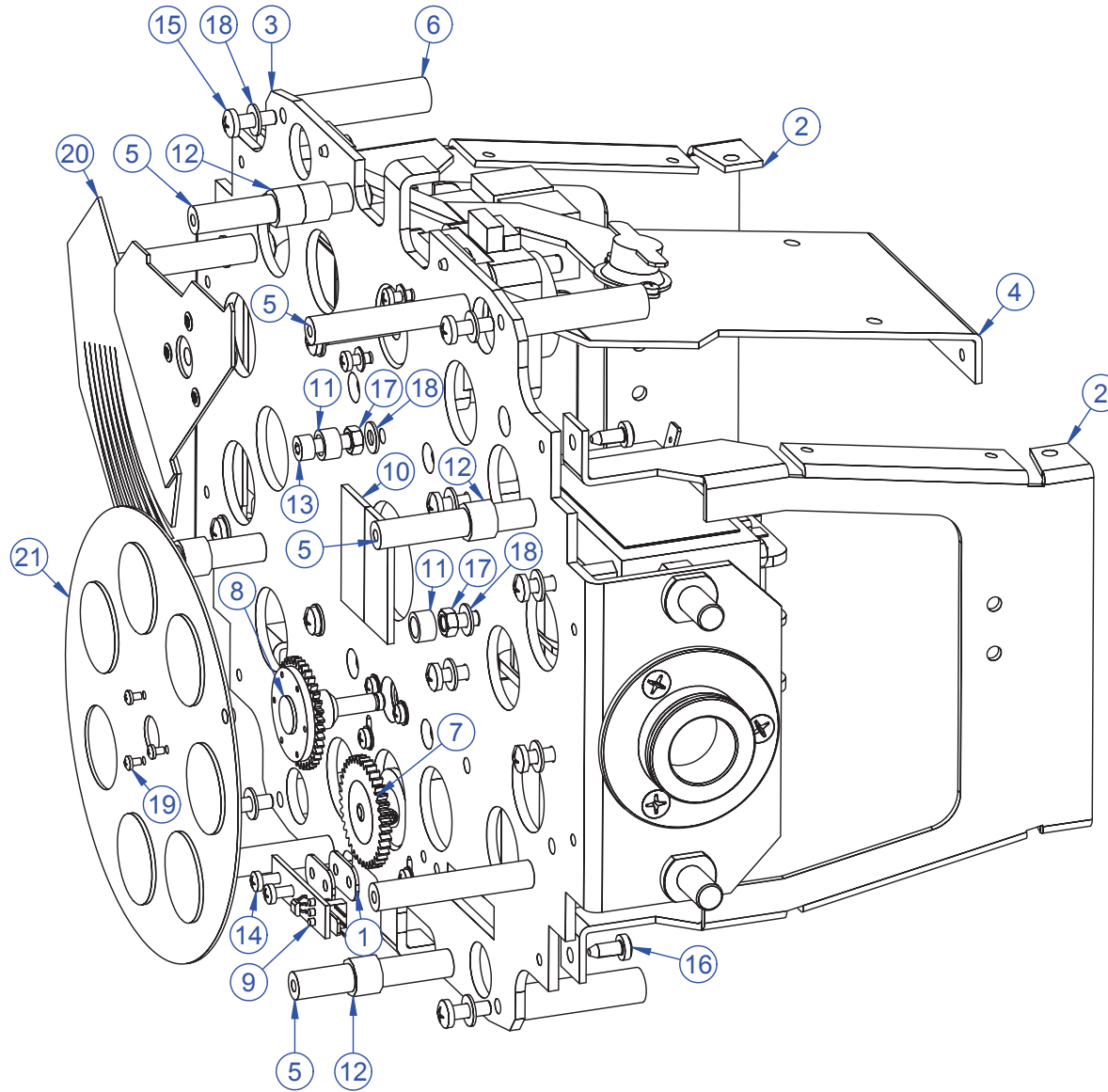
PRODUCT: ColorMix 250 AT		
TITLE: <b>Dimmer module</b>		
DOCUMENT: 99010487		
VERSION: 1	DATE: 13.8.2002	SHEET: 4 OF 15



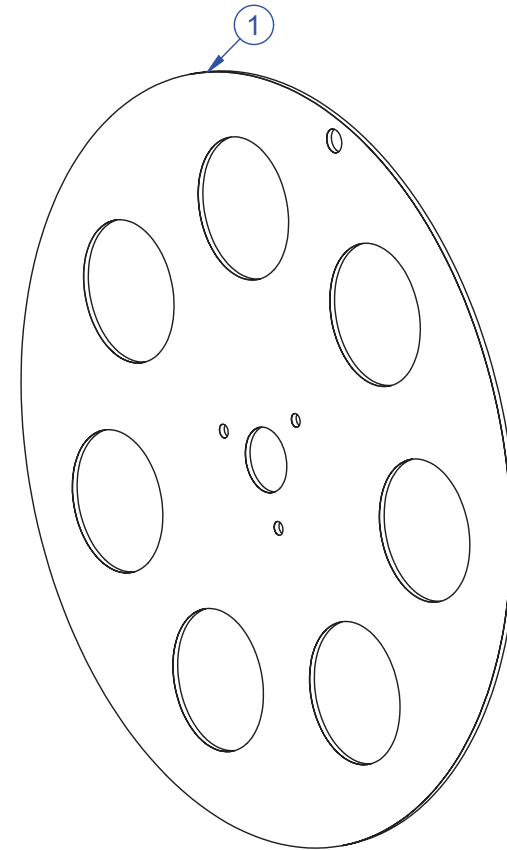
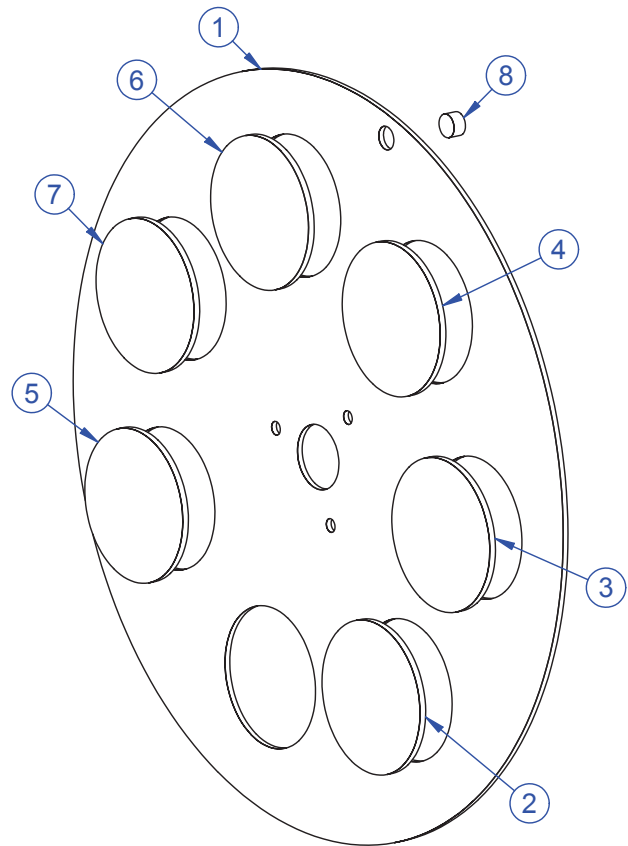
PRODUCT: ColorMix 250 AT		
TITLE: <b>Dichroic filters</b>		
DOCUMENT:		
VERSION: 1	DATE: 13.8.2002	SHEET: 5 OF 15



PRODUCT: ColorMix 250 AT		
TITLE: <b>Effect wheel</b>		
DOCUMENT: 99010081		
VERSION: 1	DATE: 13.8.2002	SHEET: 6 OF 15

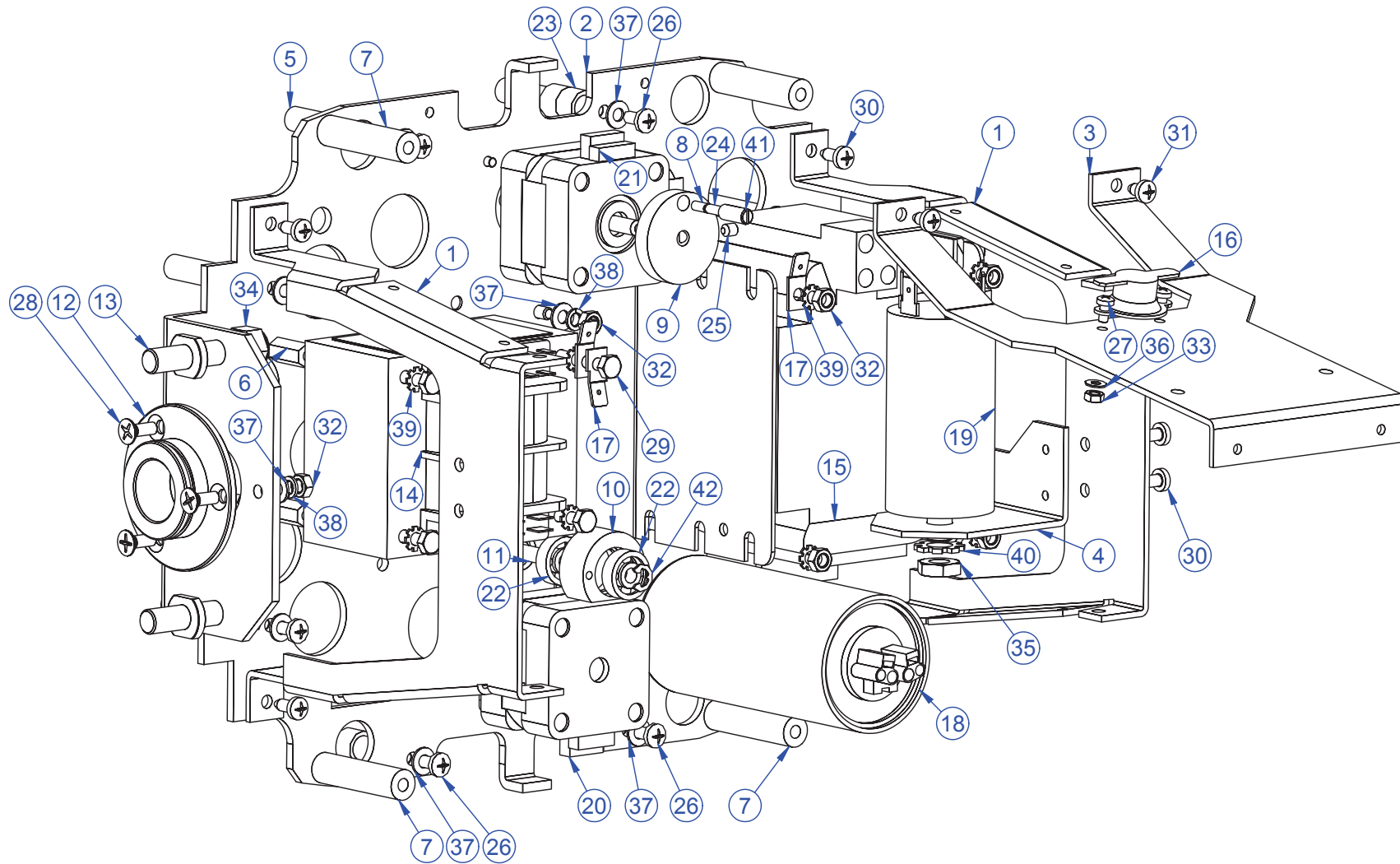


PRODUCT: ColorMix 250 AT		
TITLE: <b>Color module</b>		
DOCUMENT: 99010541		
VERSION: 1	DATE: 13.8.2002	SHEET: 7 OF 15

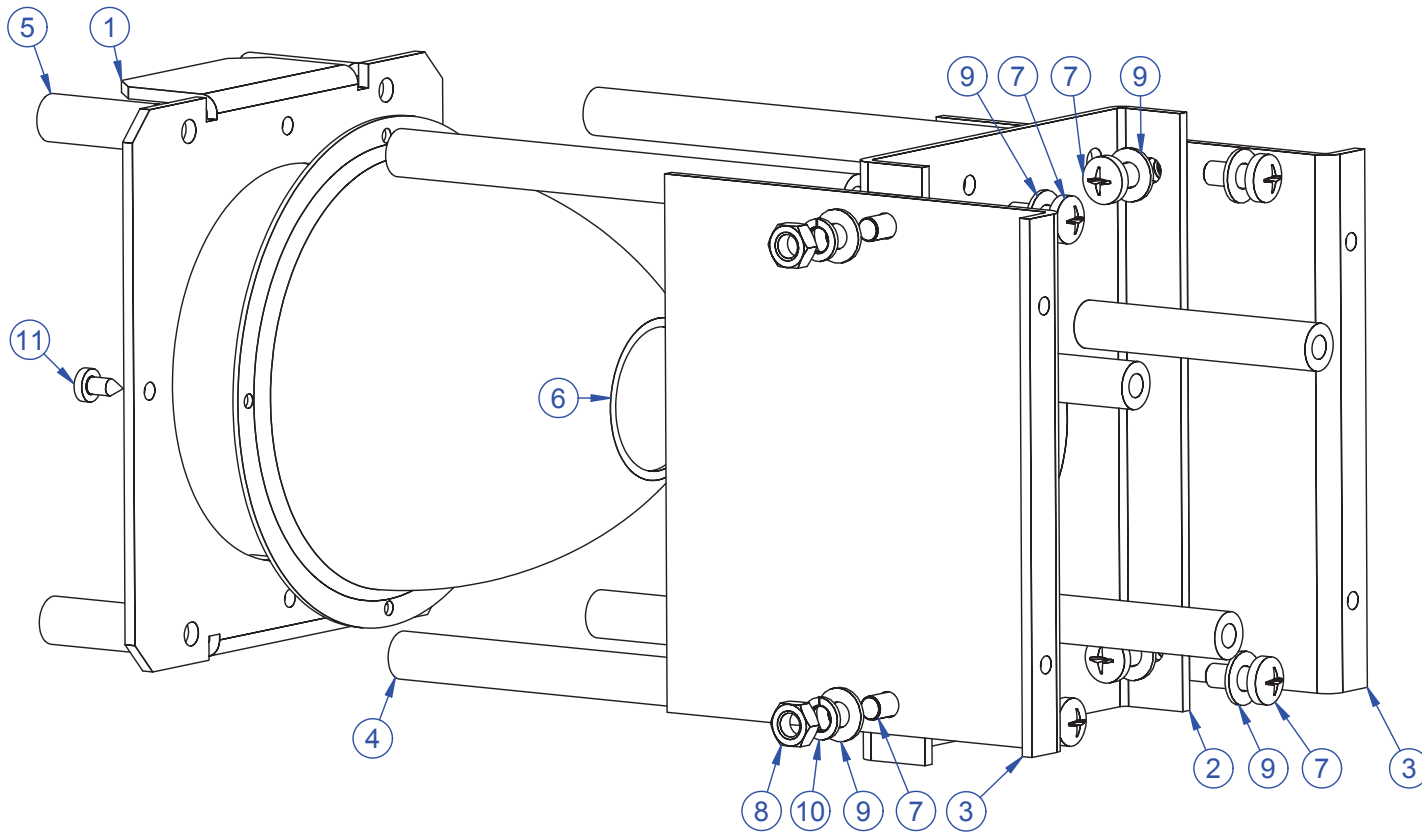


PRODUCT: ColorMix 250 AT		
TITLE: <b>Color wheel</b>		
DOCUMENT: 99010613		
VERSION: 1	DATE: 13.8.2002	SHEET: 8 OF 15

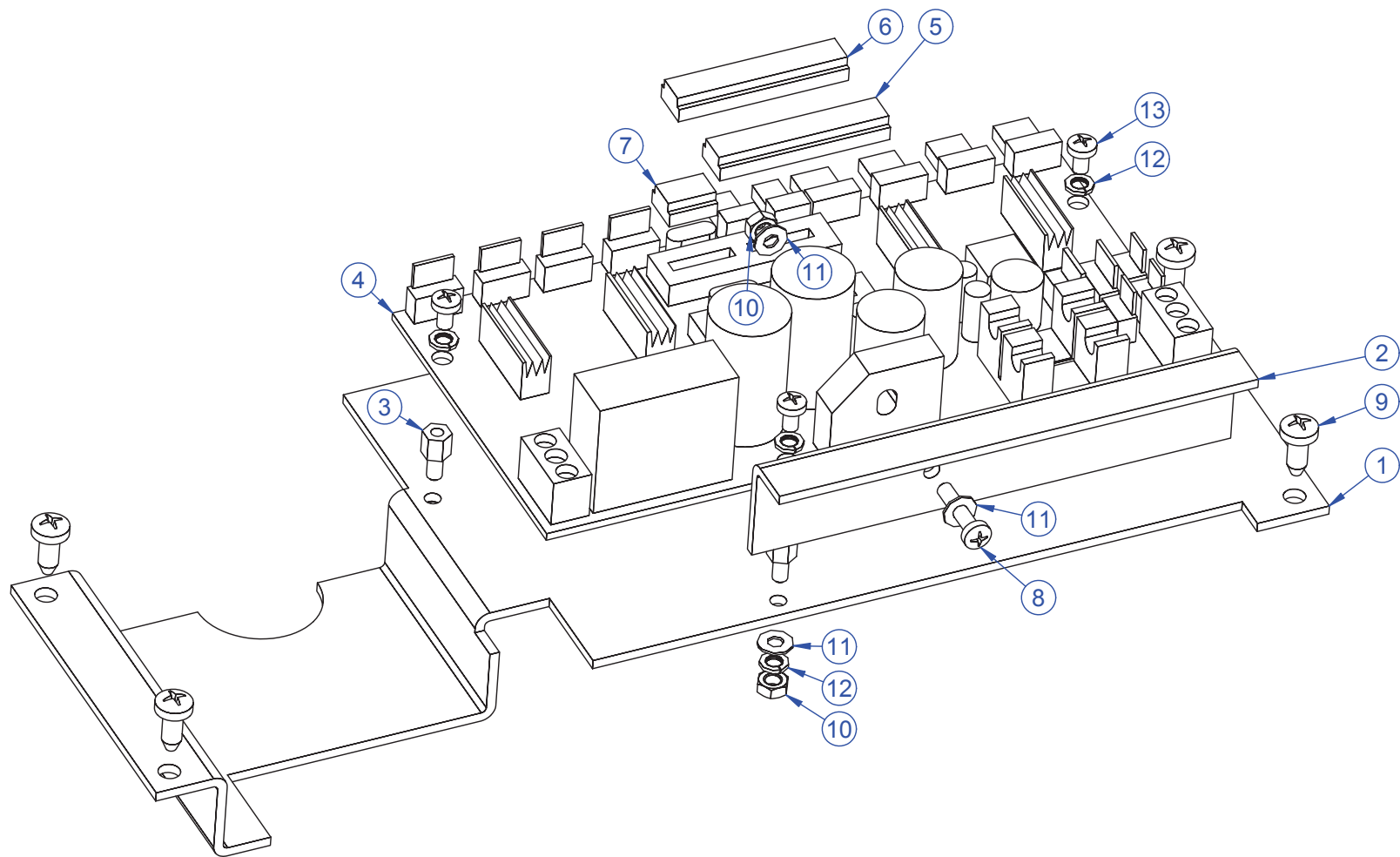




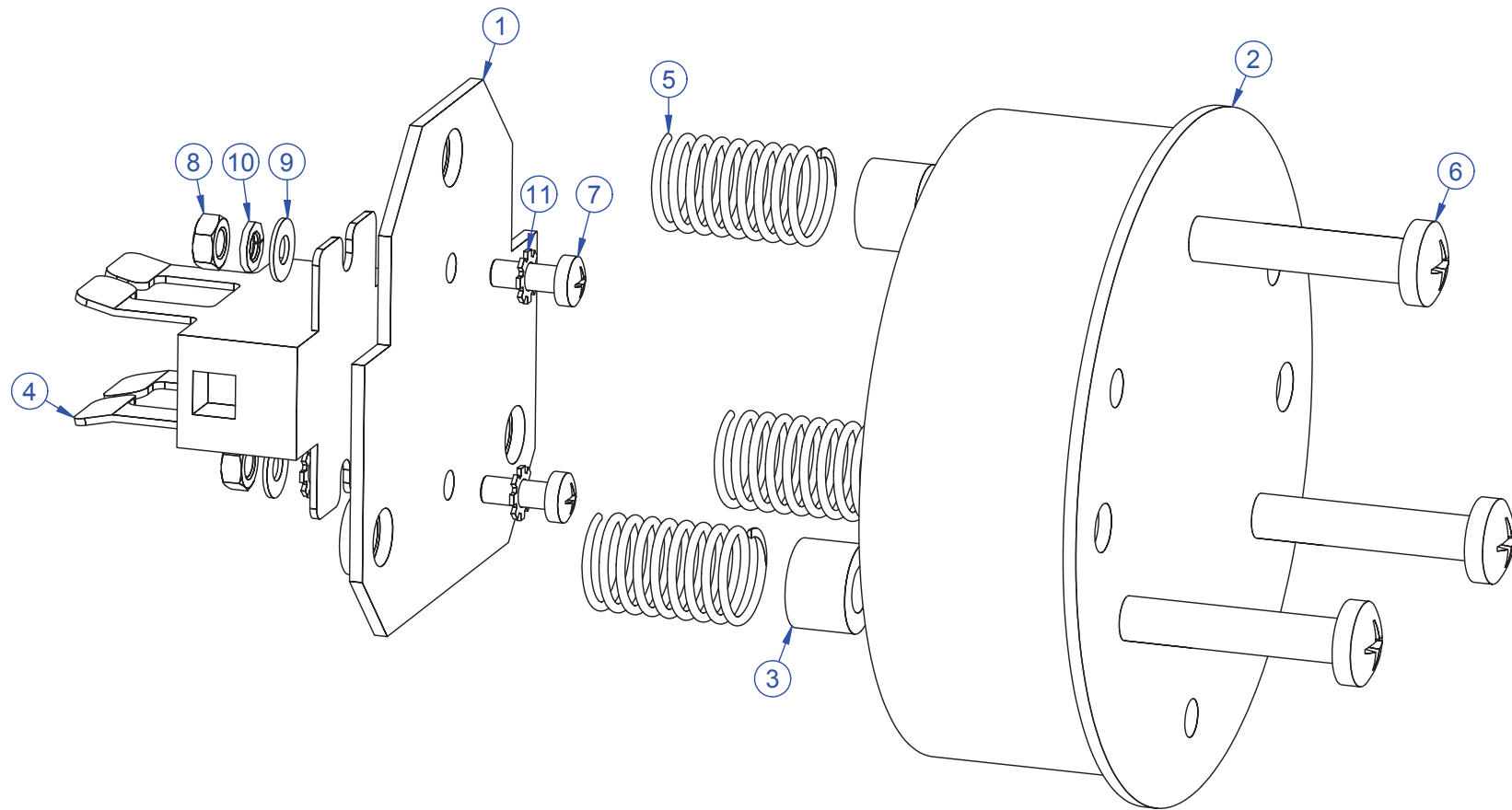
PRODUCT: ColorMix 250 AT		
TITLE: <b>Central module 230V</b>		
DOCUMENT: 99010486		
VERSION: 1	DATE: 13.8.2002	SHEET: 9 OF 15



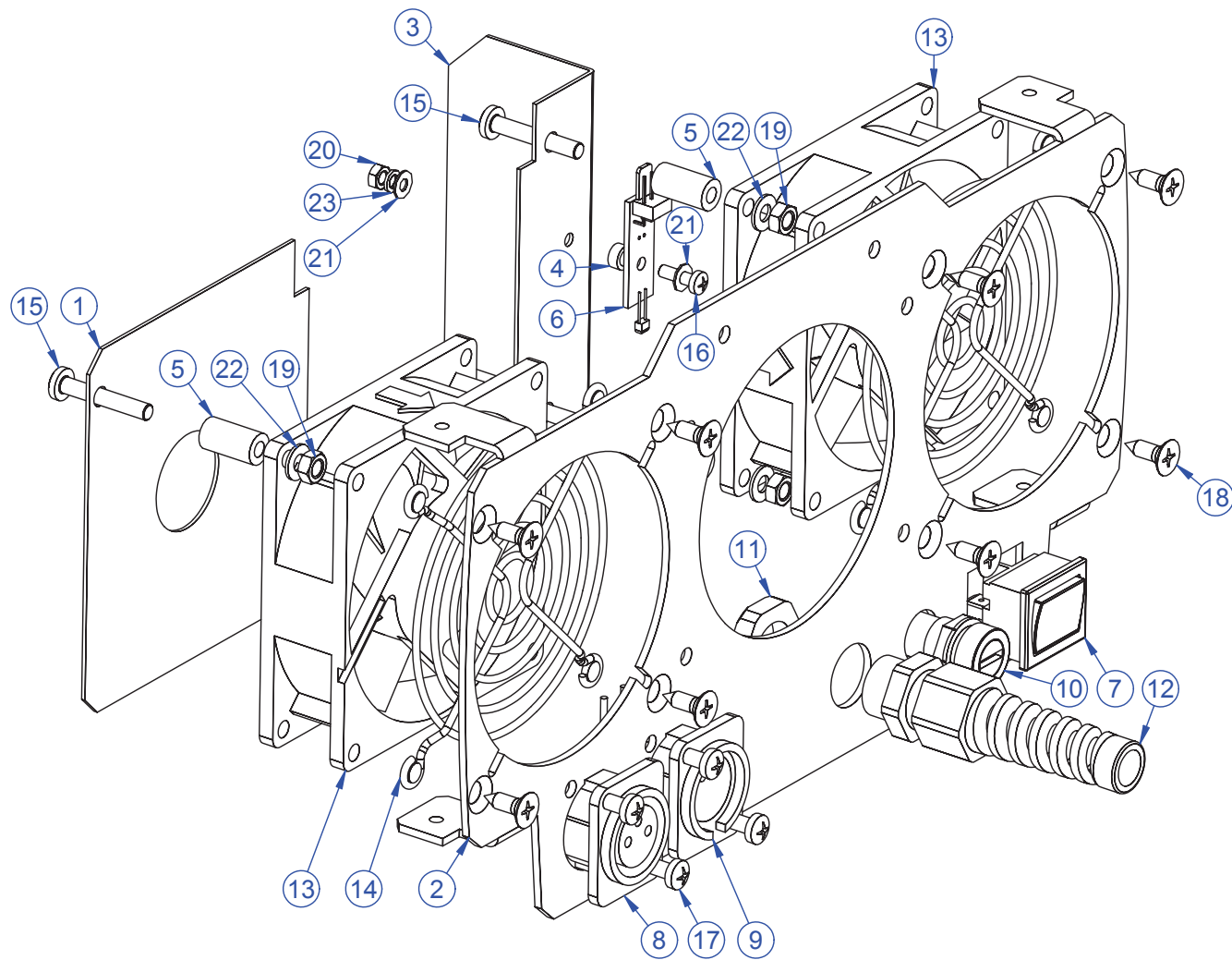
PRODUCT: ColorMix 250 AT		
TITLE: <b>Reflector module</b>		
DOCUMENT: 99010444		
VERSION: 1	DATE: 13.8.2002	SHEET: 10 OF 15



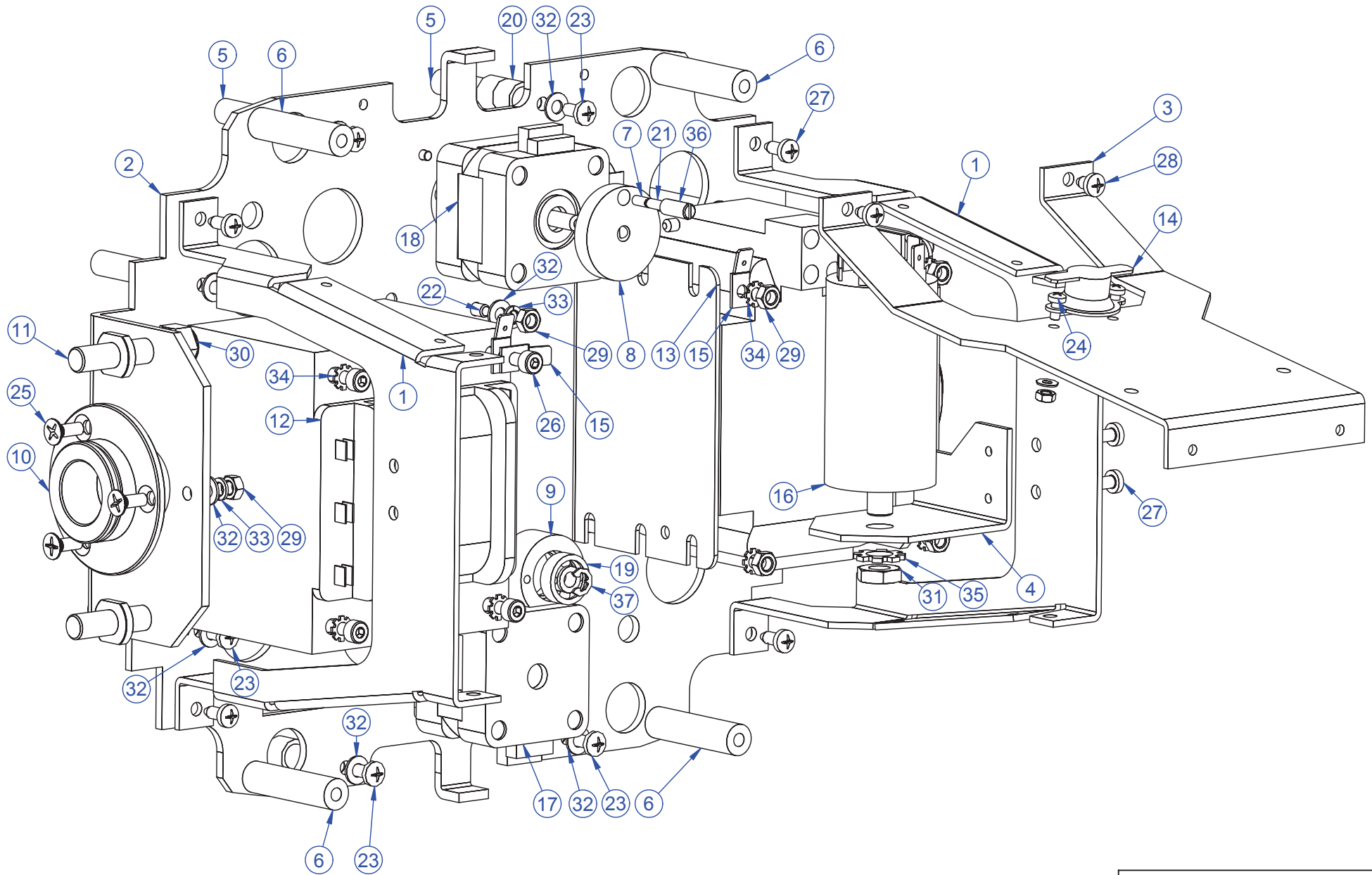
PRODUCT: ColorMix 250 AT		
TITLE: <b>Electronic module</b>		
DOCUMENT: 99010446		
VERSION: 1	DATE: 13.8.2002	SHEET: 11 OF 15



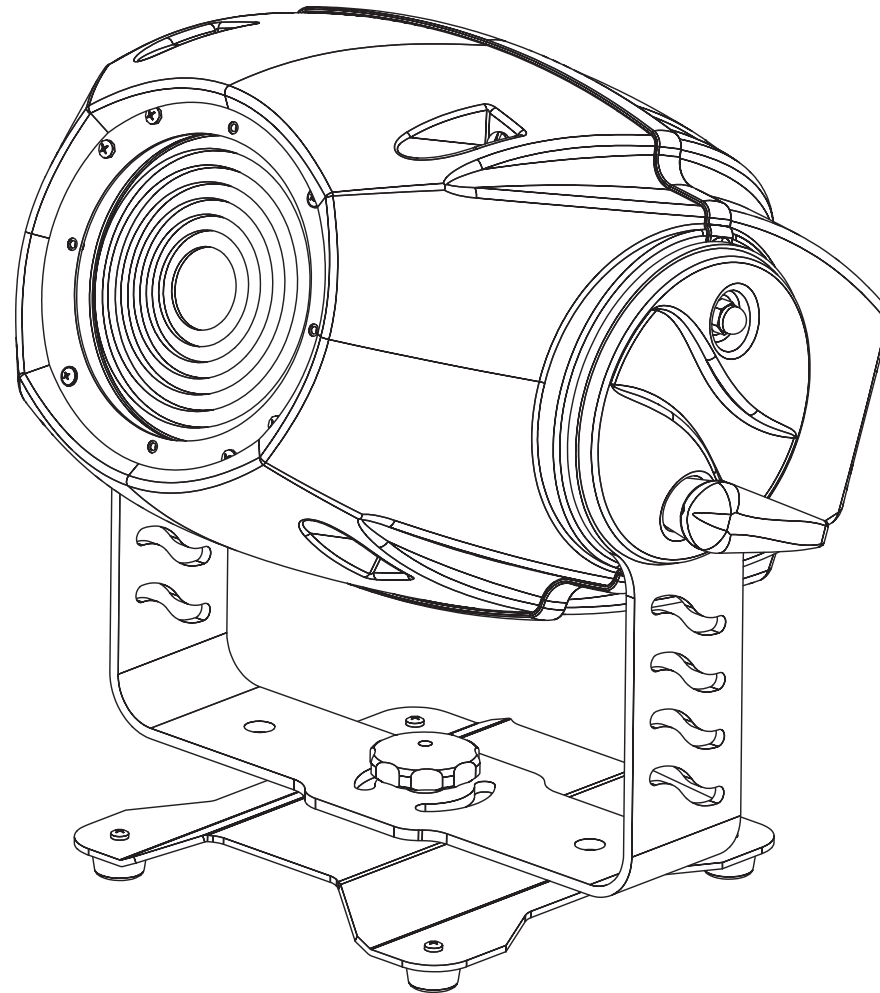
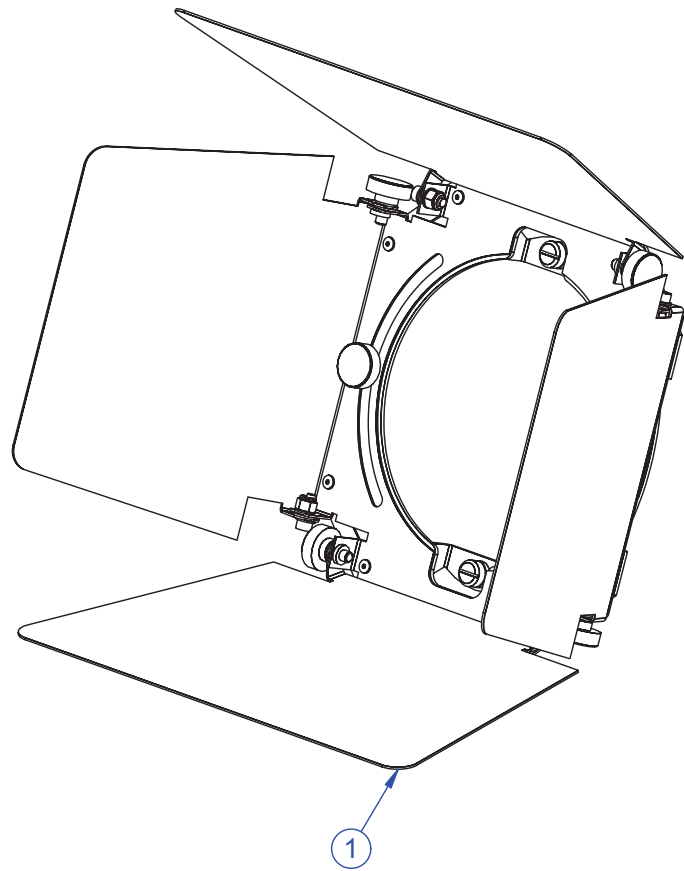
PRODUCT: ColorMix 250 AT		
TITLE: <b>Socket module</b>		
DOCUMENT: 99010071		
VERSION: 1	DATE: 13.8.2002	SHEET: 12 OF 15



PRODUCT: ColorMix 250 AT		
TITLE: Rear module		
DOCUMENT: 99010445		
VERSION: 1	DATE: 13.8.2002	SHEET: 13 OF 15



PRODUCT: ColorMix 250 AT		
TITLE: <b>Central module 120V</b>		
DOCUMENT: 99010489		
VERSION: 1	DATE: 13.8.2002	SHEET: 14 OF 15



PRODUCT: ColorMix 250 AT		
TITLE: <b>Barn door module</b>		
DOCUMENT: 99010475		
VERSION: 1	DATE: 13.8.2002	SHEET: 15 OF 15